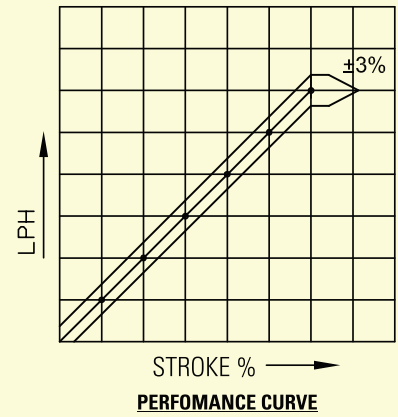




Model: VMD-03 Mechanically Actuated Diaphragm Type Dosing Pumps



SELECTION CHART

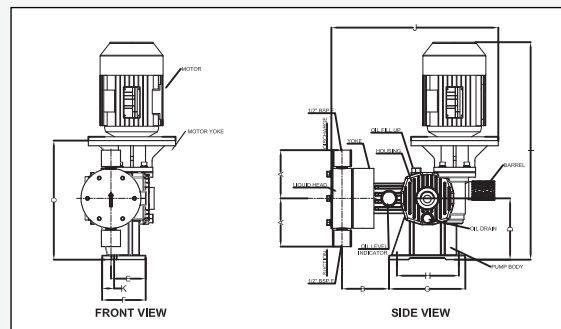
RATIO 15:1 MOTOR 1500 RPM				Max. Pr. Kg/cm2	RATIO 8:1 MOTOR 1500 RPM			
Cap LPH	Suc. Del. mm NB/BSP	% OF Max. Pr.	Motor K.W.		Cap LPH	Suc. Del. mm NB/BSP	% OF Max. Pr.	Motor K.W.
500	25	ALL	0.75	4	1000	25	100	0.75

MOC CHART

Sr. No.	Description	MOC	Sr. No.	Description	MOC
01	LIQUID HEAD	SS304, SS316, HASTALLOY, ALLOY20, P.P, PVC, PTFE	03	DIAPHRAGM	PTFE
02	NON RETURN	SS304, SS316, HASTALLOY, ALLOY20, P.P, PVC, PTFE	04	NRV BALLS	SS,PTFE, GLASS, CERAMIC

FEATURE

- Light Weight and compact size
- Flow variation possible
- Chemical compatible MOC
- Zero leakage Metering Pump
- Poly Tetra Fluoro Ethylene diaphragm for longer life
- Optimum power consumption
- High Metering Accuracy
- Economical Dosing solution



DIMENSIONS IN MM

A	B	C	D	E	F	G	H	I	J	K
88.5	84	218.5	112.5	63.7	80	140	104	426.5	310	22

WEIGHT (App) : 18 Kg

PACKING SIZE : 8.5 x 14 x 18 Inches